

# Technical data sheet

## Junction box with premarking

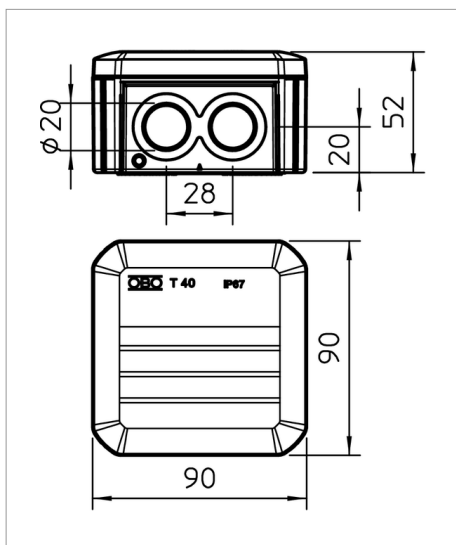


The junction boxes are made of a thermoplastic polypropylene polymer with plug-in seals made of ethylene vinyl acetate (EVA). This allows installation of cables either directly through the 7 x Ø20 seals, or the seals can be cut with a knife at the pre-marked points, in order to create an insertion opening for cables or pipes. Alternatively, cable glands can be pushed through the openings instead of the seals and locked with a locknut from the inside.

The junction boxes can be mounted on mounting plates in the openings on the floor using steel screws 3.5 x 9.5.

Clear internal dimensions: 77 x 77 x 46 mm

Cover with labelling panel and lead-sealed.



Standard version: flame-resistant, testing temperature 650 °C.

F version: highly flame-resistant, testing temperature 960 °C.

Type	Version	Entries	Colour	Box quantity	Pack. pcs	Weight kg/100 pcs.	Art.-No.
T 40 M20	Closed	7 x Ø20	Light grey; RAL 7035	80	5	6.100	2007900
T 40 M20 KL	With terminal strip	7 x Ø20	Light grey; RAL 7035	80	5	8.200	2007904

PP Polypropylene

/100

