

For use in normal environments.



Before commencing any work on the electrical connections, you must first disconnect the device from the mains. None of the 230V connections must be live until the installation has been completed and the housing is closed. Only qualified electricians or authorised service staff are permitted to open the terminal box.



Caution! There are parts that carry mains voltage behind the cover. The terminal box must not be left unsupervised when open. (Prevent non specialists and especially children from gaining access to it.)



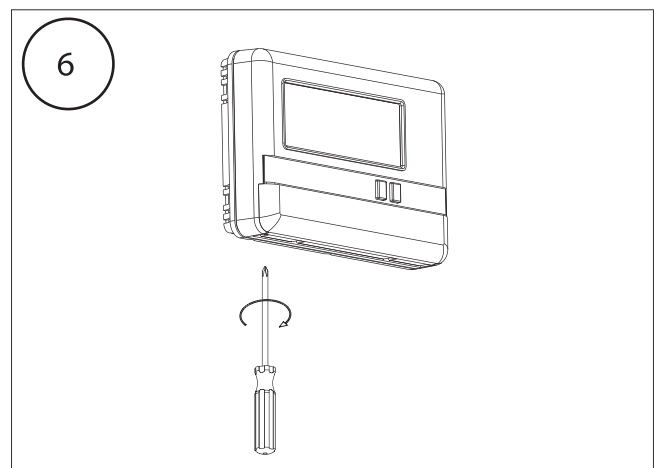
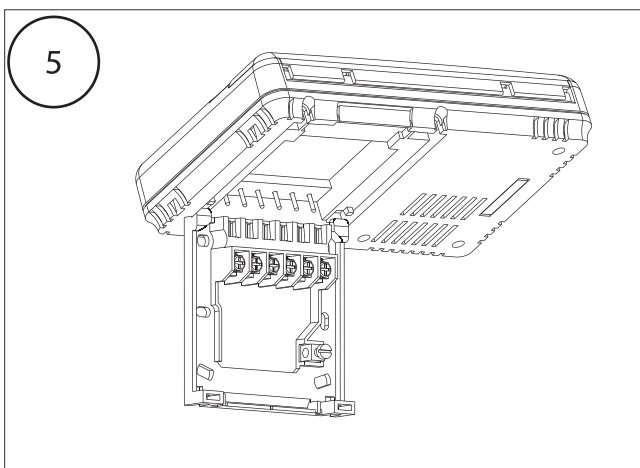
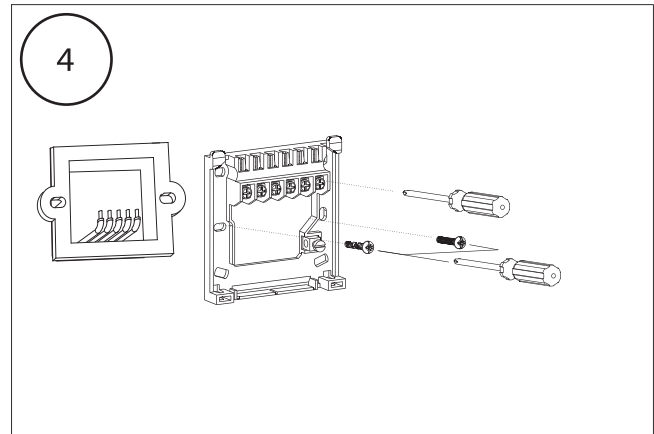
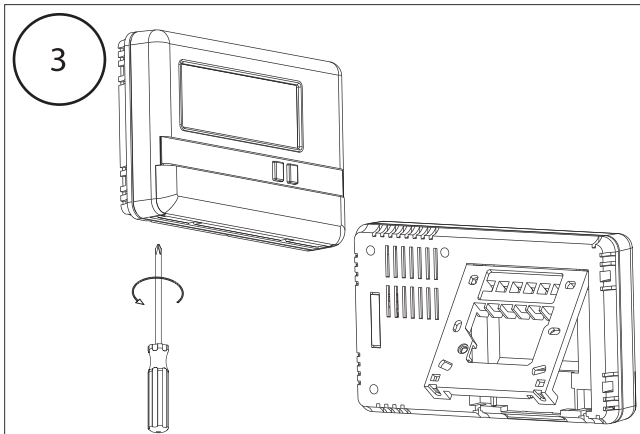
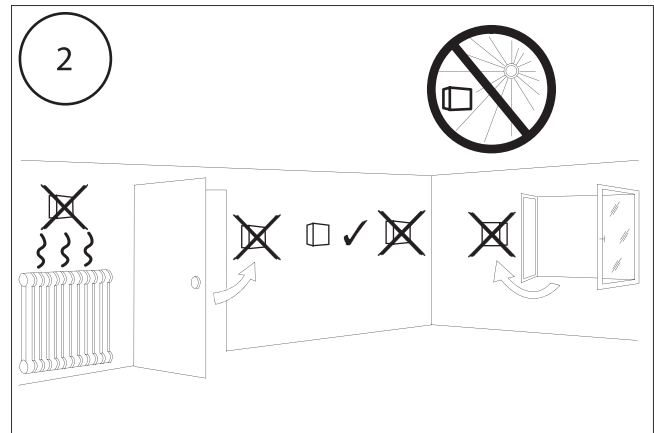
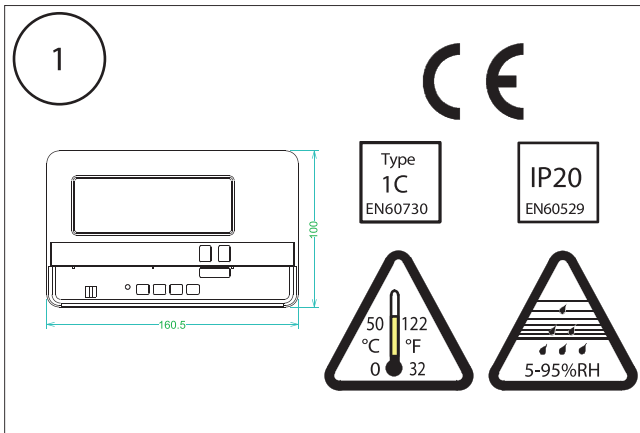
If the device is used in a way not specified by the manufacturer, its safety may be impaired.



This programmer can be mounted in the following ways:

1. Directly wall mounted
2. Mounted to a recessed conduit box

Installation and connection should only be carried out by a qualified person and in accordance with national wiring regulations.



Contents

- 1.) Factory default settings
- 2.) Specifications & wiring
- 3.) Master reset

Prior to setting the programmer, it is necessary to complete all required settings described in this section.



Caution!

Before commencing, disconnect the device from the mains. There are parts that carry mains voltage behind the cover. Never leave unsupervised when it is open. (Prevent non specialists and especially children from gaining access to it.)



Never remove this product from the electrical baseplate. Disconnect from mains supply in the event of any damage to any buttons. Do not use sharp tools to push any button.



Important: Keep this document

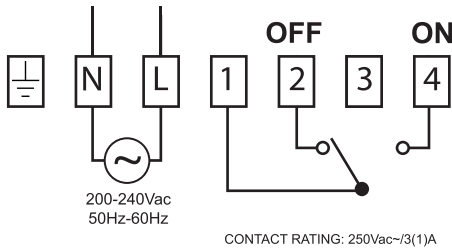
This 1 zone programmer is designed to provide ON/OFF control for 1 zone, with the value added application of in built frost protection.

1.) Factory default settings

Contacts:	Volt free contact
Program:	5/2D
Backlight:	On
Keypad:	Unlocked
Frost Protection:	Off
Clock type:	24 Hr Clock
Day-Light Saving	

2.) Specifications & wiring

Power Supply: 230 Vac	Backlight: Blue
Ambient Temp: 0~35°C	IP rating: IP20.
Contact Rating: 250 Vac 3A(1A)	Backplate: British System Standard
Program Memory backup: 1 year	Pollution degree 2: Resistance to voltage surge 2000V; as per EN 60730
Battery: 3Vdc Lithium LIR 2032	Automatic Action: Type 1.5
	Software: Class A



If mains voltage output is required, terminals L & 1 must be electrically linked. The cable link is provided with this programmer.

3.) Master reset

Lower the cover on the front of the programmer. There are four hinges holding the cover in place. Between the 3rd and 4th hinges there is a circular hole. Insert a ball point pen or similar object to master reset the programmer.

After pressing the master reset button, the date and time will now need to be reprogrammed.