



# PrimaVision Power for CDM

HID-PV C 150 /S CDM 220-240V 50/60Hz

PrimaVision Power gear is designed for optimal performance of 100 and 150 W CDM lamps – ideal where high-intensity light is key.

## Product data

### • General Characteristics

Rated Lamptype	CDM
Rated Number of Lamps	1 piece
Rated Ballast-Lamp Power	150
Line Voltage	220-240 V
Line Frequency	50/60 Hz
Housing	/S
Suitable for Outdoor use?	No

### • Operating Characteristics

Automatic restart	Yes
Ignition switch-off time	20 min
Ignition Voltage	5.0 (max) kV
Operating frequency *	0.14 kHz
Mains voltage safety (AC)	-18%/+10%
Mains voltage performance (AC)	-10%/+6%
Inrush current Peak	50 (max) A
Inrush current Width	.50 ms
Earth leakage current	0.35 (max) mA
Power losses gear	10 W
Constant wattage deviation	-3%/+3%
PowerFactor 100% output power	0.95 -
Overvoltage protection 320Vac	48 hr
Max ballast on MCB(16A type B)	6 x
Hum and Noise level	Inaudible

### • Wiring Characteristics

Cable-Cap output-wires mutual	200 pF
Connector type	Insert
Max. cable length	2.0 m
Device/Lamp Striplength	10.0-11.0 mm
Wcs Ballast contacts	0.50-2.50 mm <sup>2</sup>

### • Temperature Characteristics

Active temperature protection	Yes
F-marking	Yes
T-case life	75 C
T-case maximum	85 (max) C
T-ambient	-20 (min), 60 (max) C
T-storage	-25 (min), 85 (max) C

### • Product Dimensions

Length A1	135.0 mm
Fixing Hole Distance	123.5 mm
Length A2	
Width B1	75.0 mm
Fixing Hole Distance	63.5 mm
Width B2	
Height C1	32.0 mm
Fixing Hole Diameter D1	4.8 mm

### • Approval & Application Chars

EMI 9 kHz ... 300MHz	CISPR 15 ed 7.2
Vibrations	IEC 60068-2-6 Fc

# PHILIPS

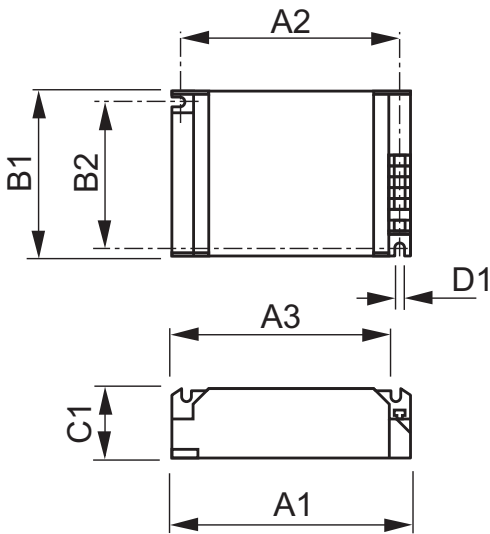
Bumps IEC 60068-2-29 Eb  
 CE marking Yes  
 ENEC certificate No  
 VDE certificate Yes  
 VDE-EMV certificate Yes  
 CB Certificate Yes

Order product name HID-PV C 150 /S CDM 220-240V 50/60Hz  
 Pieces per pack 1  
 Packing configuration 12  
 Packs per outerbox 12  
 Bar code on pack - EAN1 8711500910523  
 Bar code on outerbox - EAN3 8711500910530  
 Logistic code(s) - 12NC 913700614066  
 Net weight per piece 0.360 kg

• Product Data

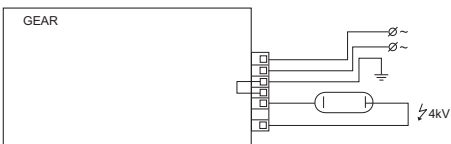
Order code 913700614066  
 Full product code 913700614066  
 Full product name HID-PV C 150 /S CDM 220-240V 50/60Hz

Dimensional drawing



HID-PV C 150 /S CDM 220-240V 50/60Hz

Product	A1 (Norm)	A2 (Norm)	A3 (Norm)	A4 (Norm)	B1 (Norm)	B2 (Norm)	B3 (Norm)	C1 (Norm)	D1 (Norm)	F1 (Norm)
HID-PV C 150 /S CDM 220-240V 50/60Hz	135.0	123.5	-	-	75.0	63.5	-	32.0	4.8	-



© 2014 Koninklijke Philips N.V. (Royal Philips)  
 All rights reserved.

Specifications are subject to change without notice. Trademarks are the property of Koninklijke Philips N.V. (Royal Philips) or their respective owners.

[www.philips.com/lighting](http://www.philips.com/lighting)

2014, April 11  
 data subject to change