



# HF-Performer III for TL5 lamps

HF-P 249 TL5 HO III 220-240V 50/60Hz IDC

HF-Performer III TL5 ballasts offer maximum versatility and meet all of the necessary commercial grade specifications. They also offer the added benefits of lamp striation reduction technology, making these ballasts compatible with energy-saving TL5 ECO lamps. As such, these ballasts are part of an overall high-efficiency lighting system that may help you or your customers to achieve any international or local energy code you need to comply with. HF-Performer III TL5 ballasts are the ideal choice for a broad range of new construction and retrofit applications within the commercial sector, including general surface mounting or office lighting, parking garages, warehouses, waterproof and other applications.

## Product data

### • General Characteristics

|                              |                  |
|------------------------------|------------------|
| Application code             | III              |
| Rated Lamptype               | TL5 HO           |
| Rated Number of Lamps        | 2 piece          |
| Rated Ballast-Lamp Power     | 49               |
| Line Voltage                 | 220-240 V        |
| Line Frequency               | 50/60 Hz         |
| Housing                      | L 360x30x22      |
| Energy Efficiency Index      | A2 BAT           |
| Lifetime 90% surv.@Tcaselife | 50000 hr         |
| Ignition Method              | Programmed Start |

### • Operating Characteristics

|                                |             |
|--------------------------------|-------------|
| Automatic restart              | Yes         |
| Ignition time                  | 0.9 (max) s |
| Operating frequency            | 46 kHz      |
| Mains voltage safety (AC)      | -10%/+10%   |
| Mains voltage performance (AC) | -8%/+6%     |
| Inrush current Peak            | 31 (max) A  |
| Inrush current Width           | 0.35 ms     |
| Earth leakage current          | 0.5 mA      |
| Power losses gear              | 6.5 W       |
| Constant wattage deviation     | -2%/+2%     |
| Ballast Lumen Factor           | 0.925 -     |
| PowerFactor 100% output power  | 0.99 -      |
| Battery voltage lamp ignition  | 198-254 V   |

|                                |             |
|--------------------------------|-------------|
| Battery voltage running lamps  | 176-254     |
| Overvoltage protection 320Vac  | 48 hr       |
| Overvoltage protection 350Vac  | 2 hr        |
| Max ballast on MCB(16A type B) | 12 x        |
| Crestfactor                    | 1.7 (max) - |
| Hum and Noise level            | < 30 dB(A)  |

### • Wiring Characteristics

|                                 |                                                                                                   |
|---------------------------------|---------------------------------------------------------------------------------------------------|
| Cable-Cap output-wires to earth | 200 pF                                                                                            |
| Cable-Cap output-wires mutual   | 200 pF                                                                                            |
| Conn.type input terminals       | WAGO 251 universal connector [Suitable for both automatic wiring (ALF and ADS) and manual wiring] |
| Conn.type output terminals      | WAGO 251 universal connector [Suitable for both automatic wiring (ALF and ADS) and manual wiring] |
| Max. cable length               | 0.75 m                                                                                            |
| Hot Wires                       |                                                                                                   |
| Striplength                     | 8.0-9.0 mm                                                                                        |
| Dual fixture Master/Slave       | Not applicable [Master/Slave oper. not applicable]                                                |
| Wcs Input terminals             | 0.50-1.00 mm <sup>2</sup>                                                                         |
| Wcs Output terminals            | 0.50-1.00 mm <sup>2</sup>                                                                         |

### • System Chars on driver level

|                         |    |
|-------------------------|----|
| Rated Lamp Power on TL5 | 49 |
|-------------------------|----|



asimpleswitch.com

# PHILIPS

## HF-Performer III for TL5 lamps

|                             |       |
|-----------------------------|-------|
| System Power on TL5         | 109   |
| Lamp Power on TL5           | 102.5 |
| Power Loss on TL5           | 6.5   |
| Rated Lamp Power on TL5 ECO | 45    |
| System Power on TL5 ECO     | 95.5  |
| Lamp Power on TL5 ECO       | 90    |
| Power Loss on TL5 ECO       | 5.5   |

### • Temperature Characteristics

|                |                       |
|----------------|-----------------------|
| T-case life    | 80 C                  |
| T-case maximum | 80 (max) C            |
| T-ignition     | -25 (min), 60 (max) C |
| T-ambient      | -25 (min), 60 (max) C |
| T-storage      | -40 (min), 80 (max) C |

### • Emergency Characteristics

|                                |              |
|--------------------------------|--------------|
| Bal Lm Fac Emergency operation | 0.7 -        |
| Light output after 5 sec       | 50% of EBLF  |
| Light output after 60 sec      | 100% of EBLF |
| Normal operating voltage (DC)  | 220-240 V    |
| Batt volt guaranteed ignition  | 186-275 V    |
| Batt volt guaranteed operation | 176-275 V    |

### • Product Dimensions

|                         |          |
|-------------------------|----------|
| Length A1               | 360.0 mm |
| Fixing Hole Distance    | 350.0 mm |
| Length A2               |          |
| Width B1                | 30.0 mm  |
| Height C1               | 22.0 mm  |
| Fixing Hole Diameter D1 | 4.2 mm   |

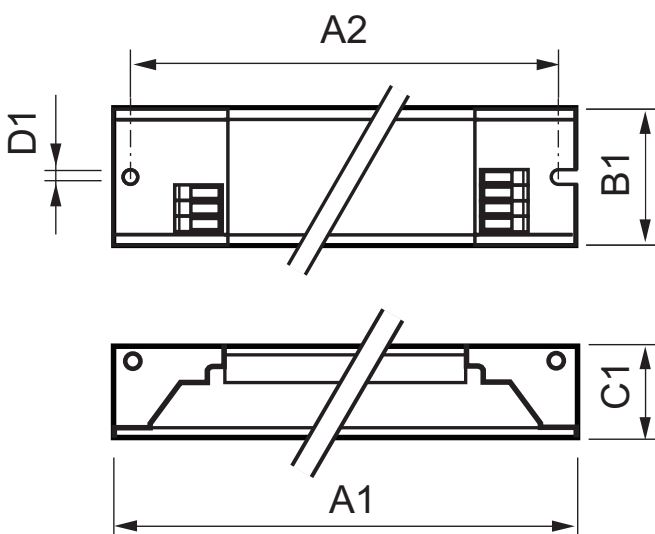
### • Approval & Application Chars

|                            |                        |
|----------------------------|------------------------|
| EMI 9kHz .. 30 MHz         | EN 55015               |
| EMI 30 MHz .. 1000MHz      | - [Not specified]      |
| Safety Standard            | IEC 61347-2-3          |
| Performance Standard       | IEC 60929              |
| Quality Standard           | ISO 9000:2000          |
| Environmental Standard     | ISO 14001              |
| Harmonic current emissions | IEC 61000-3-2          |
| EMC Immunity               | IEC 61547              |
| Vibrations                 | IEC 68-2-6 Fc          |
| Bumps                      | IEC 68-2-29 Eb         |
| Humidity                   | EN 61347-2-3 clause 11 |
| Approval marks             | ENEC / VDE-EMV         |
| CE marking                 | Yes                    |
| Temperature marking        | 110 [Yes]              |
| Emergency standard         | IEC 60598-2-22         |

### • Product Data

|                             |                                          |
|-----------------------------|------------------------------------------|
| Order code                  | 913713028166                             |
| Full product code           | 913713028166                             |
| Full product name           | HF-P 249 TL5 HO III 220-240V 50/60Hz IDC |
| Order product name          | HF-P 249 TL5 HO III 220-240V 50/60Hz IDC |
| Pieces per pack             | 1                                        |
| Packing configuration       | 12                                       |
| Packs per outerbox          | 12                                       |
| Bar code on pack - EAN1     | 8711500881984                            |
| Bar code on outerbox - EAN3 | 8727900863475                            |
| Logistic code(s) - 12NC     | 913713028166                             |
| Net weight per piece        | 0.267 kg                                 |

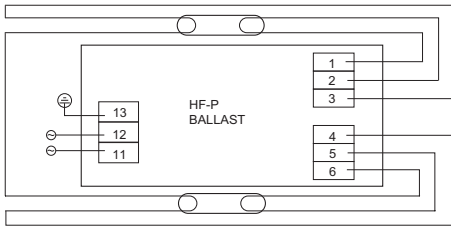
## Dimensional drawing



### HF-P 249 TL5 HO III 220-240V 50/60Hz IDC

| Product                                  | A1 (Norm) | A2 (Norm) | B1 (Norm) | C1 (Norm) | D1 (Norm) |
|------------------------------------------|-----------|-----------|-----------|-----------|-----------|
| HF-P 249 TL5 HO III 220-240V 50/60Hz IDC | 360.0     | 350.0     | 30.0      | 22.0      | 4.2       |

### Dimensional drawing



HF-P 2 TL-D/TL5 (keep wires 1;2 & 5;6 short)

### Photometric data

# Ballast type

# HF-P 249 TL5 HO III 220-240V 50/60Hz



© 2014 Koninklijke Philips N.V. (Royal Philips)  
All rights reserved.

Specifications are subject to change without notice. Trademarks are the property of Koninklijke Philips N.V. (Royal Philips) or their respective owners.

[www.philips.com/lighting](http://www.philips.com/lighting)

2014, April 10  
data subject to change