



HF-Performer III for TL-D lamps

HF-P 236 TL-D III 220-240V 50/60Hz IDC

HF-Performer III TL-D III ballasts offer maximum versatility and meet all of the necessary commercial grade specifications. They also offer the added benefits of lamp striation reduction technology, making these ballasts compatible with energy-saving lamps. As such, these ballasts are part of an overall high-efficiency lighting system that may help you or your customers to achieve any international or local energy code you need to comply with. HF-Performer III TL-D III ballasts are the ideal choice for a broad range of new construction and retrofit applications within the commercial sector, including general surface mounting or office lighting, parking garages, warehouses, waterproof and other applications.

Product data

• General Characteristics

Application code	III
Rated Lamptype	TL-D
Rated Number of Lamps	2 piece
Rated Ballast-Lamp Power	36
Line Voltage	220-240 V
Line Frequency	50/60 Hz
Housing	L 280x30x28
Energy Efficiency Index	A2 BAT
Lifetime 90% surv.@Tcaselife	50000 hr
Ignition Method	Programmed Start

• Operating Characteristics

Automatic restart	Yes
Ignition time	0.9 (max) s
Operating frequency	45 kHz
Mains voltage safety (AC)	-10%/+10%
Mains voltage performance (AC)	-8%/+6%
Inrush current Peak	18 (max) A
Inrush current Width	0.25 ms
Earth leakage current	0.5 mA
Power losses gear	5.5 W
Constant wattage deviation	-2%/+2%
Ballast Lumen Factor	0.96 -
PowerFactor 100%	0.98 -
output power	
Battery voltage lamp ignition	186-275 V

Battery voltage running lamps	186-275
Overvoltage protection 320Vac	48 hr
Overvoltage protection 350Vac	2 hr
Max ballast on MCB(16A type B)	28 x
Crestfactor	1.7 (max) -
Hum and Noise level	< 30 dB(A)

• Wiring Characteristics

Cable-Cap output-wires to earth	200 pF
Cable-Cap output-wires mutual	200 pF
Conn.type input terminals	WAGO 251 universal connector [Suitable for both automatic wiring (ALF and ADS) and manual wiring]
Conn.type output terminals	WAGO 251 universal connector [Suitable for both automatic wiring (ALF and ADS) and manual wiring]
Max. cable length	0.75 m
Hot Wires	
Striplength	8.0-9.0 mm
Dual fixture Master/Slave	Not applicable [Master/Slave oper. not applicable]
Wcs Input terminals	0.50-1.00 mm ²
Wcs Output terminals	0.50-1.00 mm ²

• System Chars on driver level

Rated Lamp Power on TL-D	36
--------------------------	----



asimpleswitch.com

PHILIPS

HF-Performer III for TL-D lamps

System Power on TL-D	68
Lamp Power on TL-D	62.5
Power Loss on TL-D	5.5

• Temperature Characteristics

T-case life	80 C
T-case maximum	80 (max) C
T-ignition	-25 (min), 60 (max) C
T-ambient	-25 (min), 60 (max) C
T-storage	-40 (min), 50 (max) C

• Emergency Characteristics

Bal Lm Fac Emergency operation	0.7 -
Light output after 5 sec	50% of EBLF
Light output after 60 sec	100% of EBLF
Normal operating voltage (DC)	220-240 V
Batt volt guaranteed ignition	186-275 V
Batt volt guaranteed operation	176-275 V

• Product Dimensions

Length A1	280.0 mm
Fixing Hole Distance	265.0 mm
Length A2	
Width B1	30.0 mm
Height C1	28.0 mm
Fixing Hole Diameter D1	4.2 mm

• Approval & Application Chars

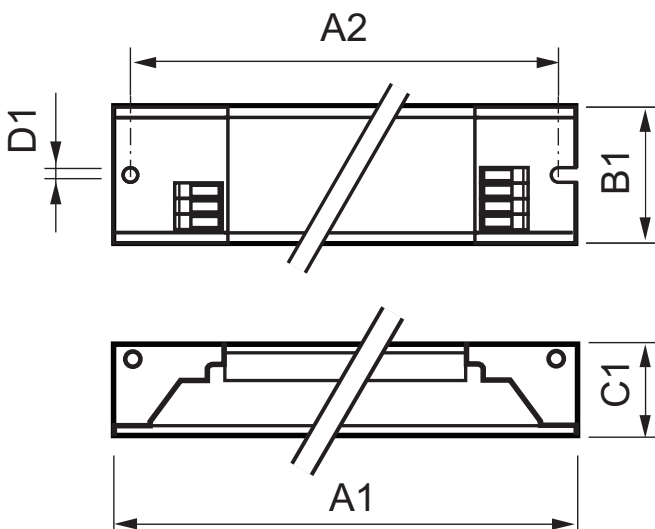
EMI 9kHz .. 30 MHz	EN 55015
--------------------	----------

EMI 30 MHz .. 1000MHz	EN 55022 level B [Level = Class]
Safety Standard	IEC 61347-2-3
Performance Standard	IEC 60929
Quality Standard	ISO 9000:2000
Environmental Standard	ISO 14001
Harmonic current emissions	IEC 61000-3-2
EMC Immunity	IEC 61547
Vibrations	IEC 68-2-6 Fc
Bumps	IEC 68-2-29 Eb
Humidity	EN 61347-2-3 clause 11
Approval marks	ENEC / VDE-EMV
CE marking	Yes
Temperature marking	110 [Yes]
Emergency standard	IEC 60598-2-22

• Product Data

Order code	913713031666
Full product code	913713031666
Full product name	HF-P 236 TL-D III 220-240V 50/60Hz IDC
Order product name	HF-P 236 TL-D III 220-240V 50/60Hz IDC
Pieces per pack	1
Packing configuration	12
Packs per outerbox	12
Bar code on pack - EAN1	8711500999665
Bar code on outerbox - EAN3	8727900911664
Logistic code(s) - 12NC	913713031666
Net weight per piece	0.203 kg

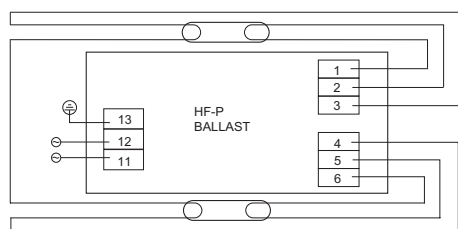
Dimensional drawing



HF-P 236 TL-D III 220-240V 50/60Hz IDC

Product	A1 (Norm)	A2 (Norm)	B1 (Norm)	C1 (Norm)	D1 (Norm)
HF-P 236 TL-D III 220-240V 50/60Hz IDC	280.0	265.0	30.0	28.0	4.2

Dimensional drawing



HF-P 2 TL-D/TL5 (keep wires 1;2 & 5;6 short)

Photometric data

Ballast type

HF-P 236 TL-D III 220-240V 50/60Hz



© 2014 Koninklijke Philips N.V. (Royal Philips)
All rights reserved.

Specifications are subject to change without notice. Trademarks are the property of Koninklijke Philips N.V. (Royal Philips) or their respective owners.

www.philips.com/lighting

2014, April 10
data subject to change