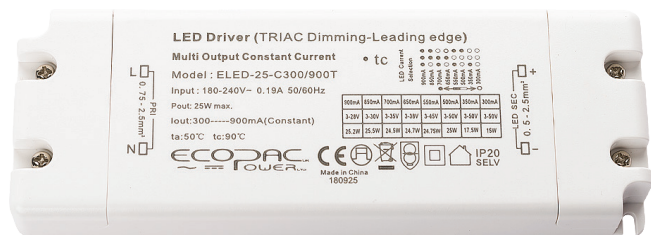


## Features:

- Constant Current mode output with multiple levels selectable by dip switch
- Leading edge dimmable
- AC input: 180-240VAC
- Efficiency up to 80%
- Protections: Short circuit/ Over load/ Over current
- Full protection plastic housing easy installation
- Cooling by free air convection
- Suitable for LED lighting and moving signs



## Models

### ELED-25-C300/900T

## Output Specifications

Rated Current	900mA	850mA	700mA	650mA	550mA	500mA	350mA	300mA
Current Tolerance	± 5%							
DC Voltage	3-28V	3-30V	3-35V	3-38V	3-45V	3-50V	3-50V	3-50V
Rated Power	25.2W	25.5W	24.5W	24.7W	22.5W	25W	17.5W	15W

## Input Specifications

Input Voltage	180-240VAC							
Frequency Range	47-63Hz							
Inrush Current	44A (Twidth=140µs 230VAC)							
Full Load Efficiency (Typ.)	78%	78%	79%	80%	80%	80%	80%	80%
AC Current (Typ.)	0.28A	0.28A	0.27A	0.26A	0.24A	0.27A	0.19A	0.16A
Leakage Current	<0.50mA/220VAC							
Power Factor (Typ.)	PF> 0.65/180VAC // PF>0.65/230VAC // PF>0.65/240VAC (Full loading)							

## Protection

Short Circuit	Hiccup mode, Recovers automatically after fault condition is removed
Over Loading	≤120%
Output No-Load Voltage	52-60V
Protection Class	II

## Environment

Working Temperature	-40~+60°C (Refer to derating curve)
Working Humidity	20-95% RH, non-condensing
Storage Temperature, Humidity	-40~+80°C, 10-95% RH

## Environment

Temperature Coefficient	$\pm 0.03\%/^{\circ}\text{C}$ (0-50°C)
Vibration	10-500Hz, 5G 12min./ 1 cycle, period for 72min.each along X, Y, Z axes

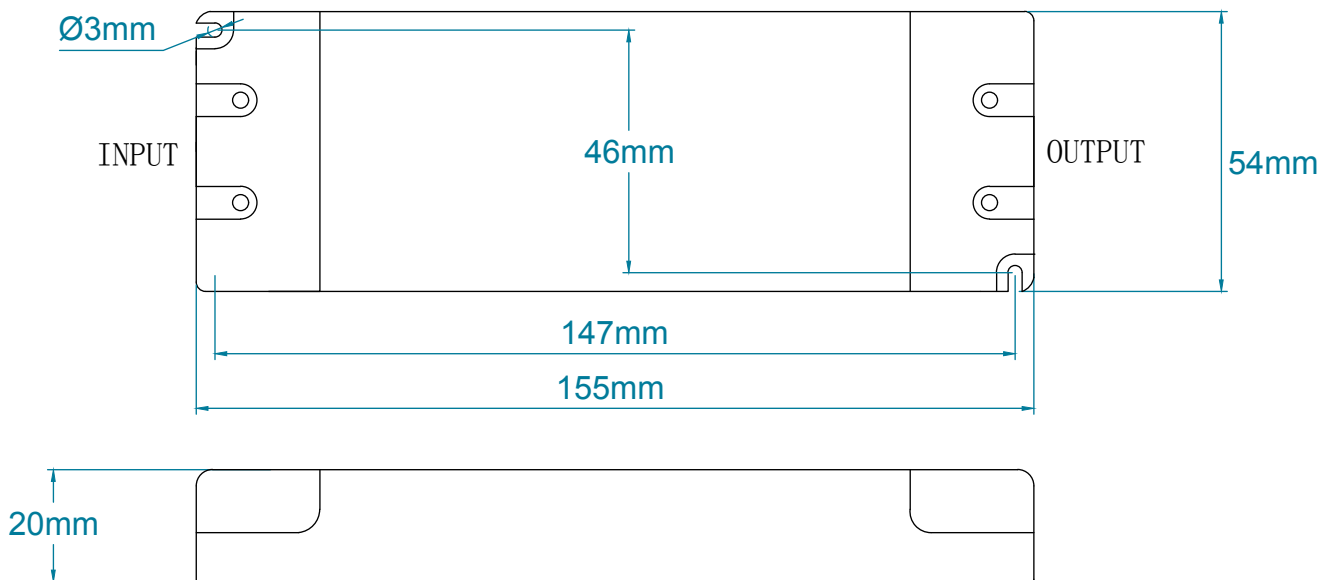
## Safety

Safety standards	EN61347-1
------------------	-----------

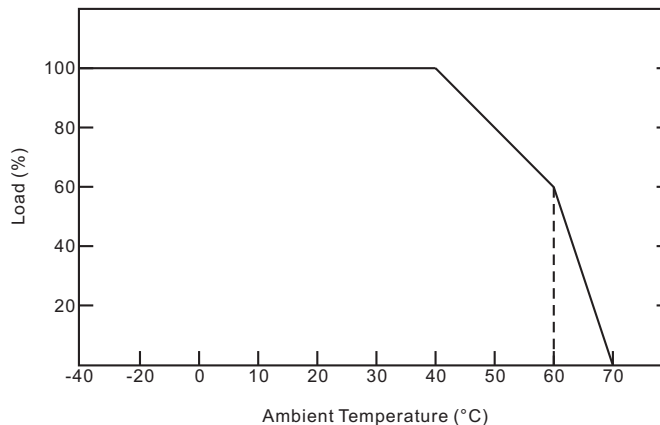
## Other Specifications

Weight	0.21 Kg
Size	155 x 54 x 20 mm
Packing	160 x 60 x 23 mm (inner box) , 350 x 240 x 130 mm (40PCS/CTN)

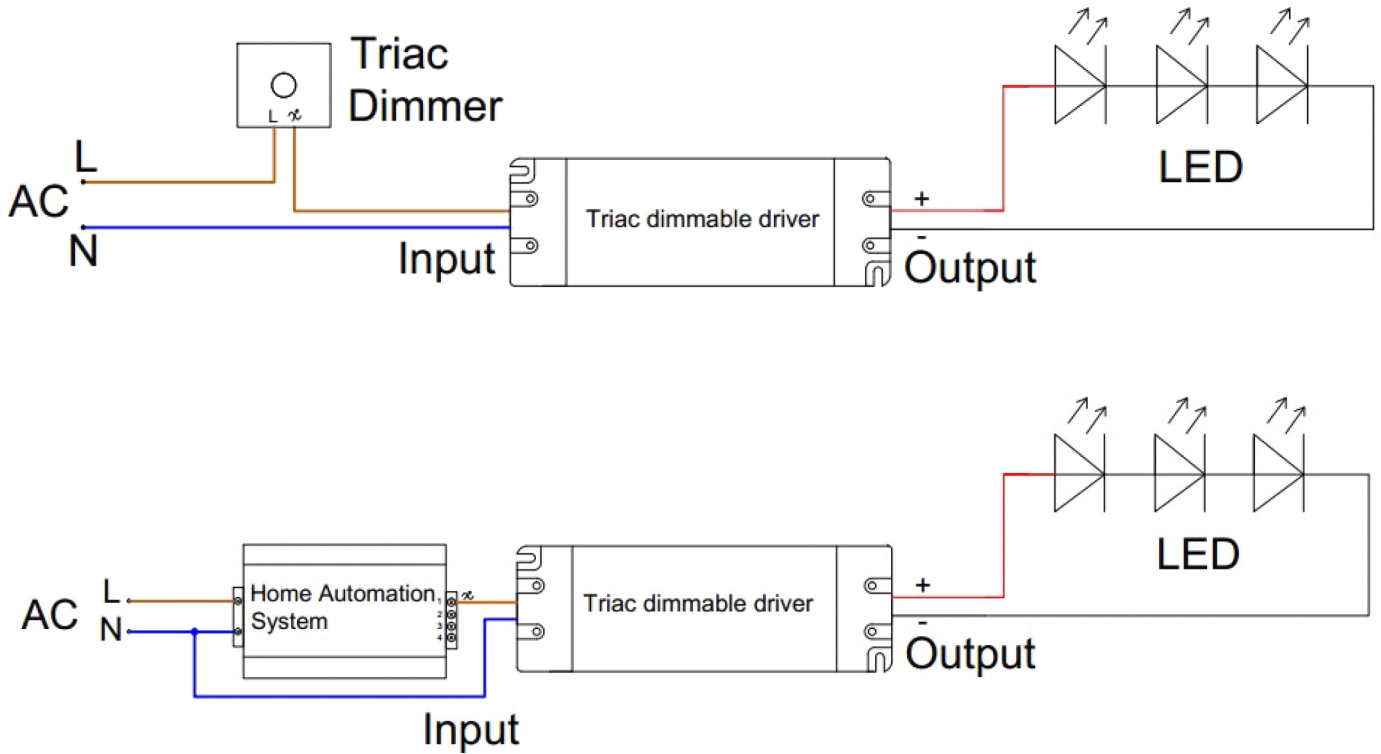
## Mechanical Specifications



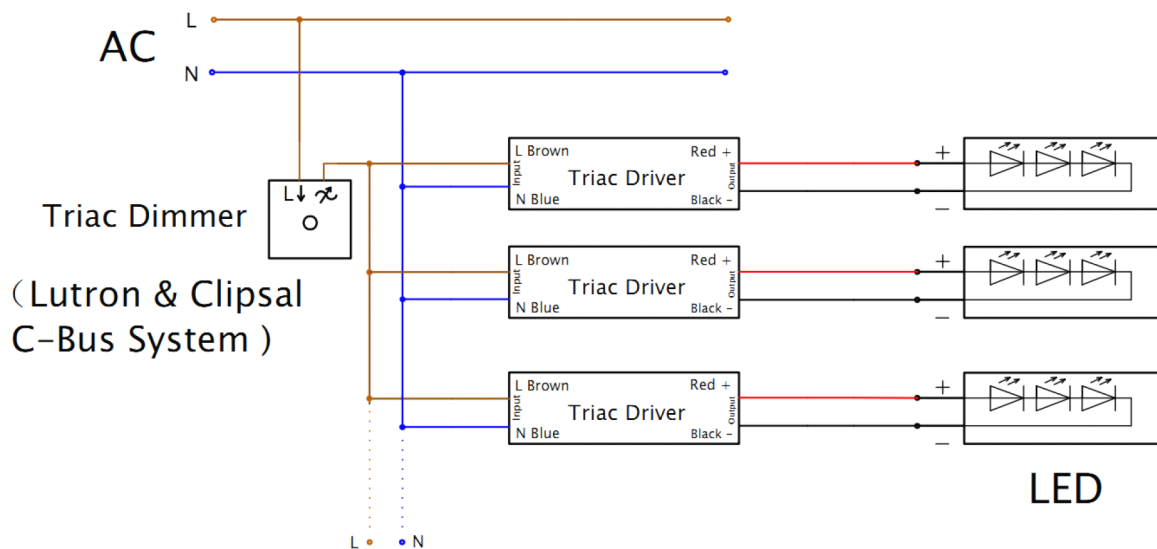
## Derating Curve



## Connection Diagrams in Single (I)



## Connection Diagrams in Multiple (II)



## Connection Diagrams in Multiple (II)

