

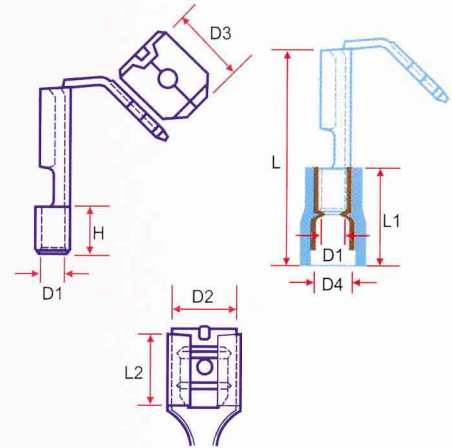
Pre-insulated Terminals






Piggy Back

Material: Brass - Tin Plated
Insulation: Polyvinyl Chloride
 UL approval E100455
 CSA approval 093995
 RoHS compliant

Max. elec. rating: ■ 10 amp
 ■ 15 amp
 ■ 24 amp
 300 volts 75°C



Wire Range mm ² (AWG)	Part No.	Dimensions mm								Tab Size
		D1	D2	D3	D4	L	L1	L2	H	
0.5-1.5 (22 - 16)	 63RPIG	1.8	6.6	8.0	4.3	20.0	10.0	7.5	5.5	6.3 x 0.8
1.5-2.5 (16 - 14)	 63BPIG	2.3	6.6	8.0	4.8	20.0	10.0	7.5	5.5	6.3 x 0.8
4-6 (12 - 10)	 63YPIG	3.5	6.6	8.0	6.5	24.0	13.5	7.5	6.5	6.3 x 0.8

Pack Quantity: 100

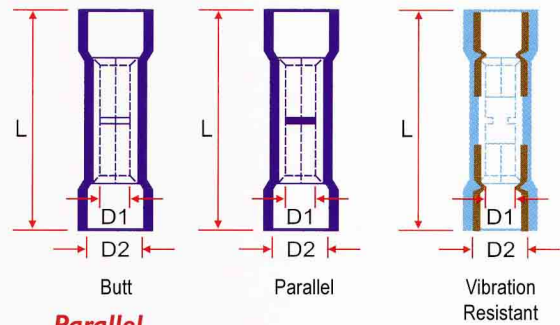
**Un-insulated Piggy Back
 Terminals available on
 request.**




Butt & Parallel Splices

Material: Copper
Insulation: Polyvinyl Chloride
 UL approval E100455
 CSA approval 093995
 RoHS compliant

Max. elec. rating: ■ 19 amp
 ■ 27 amp
 ■ 48 amp
 600 volts 75°C






Butt

Wire Range mm ² (AWG)	Part No.	Dimensions mm		
		D1	D2	L
0.5-1.5 (22 - 16)	 15BSL	1.8	4.3	24.5
1.5-2.5 (16 - 14)	 25BSL	2.3	4.8	24.5
4-6 (12 - 10)	 6BSL	3.5	6.6	26.0

Pack Quantity: 100

Parallel

Wire Range mm ² (AWG)	Part No.	Dimensions mm		
		D1	D2	L
0.25-1.65 (22 - 16)	 15PSL	1.7	3.3	16.0
1.04-2.63 (16 - 14)	 25PSL	2.3	4.0	16.0
4-6 (12 - 10)	 6PSL	3.4	5.5	20.5

Pack Quantity: 100