



WRP Pipe / Cylinder thermostat for use as temperature controller

For use to control the temperature in pipes and cylinders. A cord is supplied for cylinder mounting and a chain clamp for pipe mounting.



Properties

Bimetal thermostat
 Setpoint knob with scale for external adjustment
 Change-over contacts
 Includes chain clamp for pipe mounting. Max 80mm.
 Includes cord for cylinder mounting
 Includes a sachet of heat conducting paste

Type	Setting Range	Switching Difference	Weight [kg]
WRP	0...90°C	5°C	0.16

Switch rating:	15A (2.5) 250V~	Time behaviour in air:	Dead time	Time constant
Max permissible temp. of housing	80°C	still	2 min	20 min
Max permissible temp. of sensor	110°C	moving	(0.2 m/s)	1 min15 min
Transport & storage temp.	-15...55°C	Ambient temperature	0...55°C	
		Degree of protection	IP 20	
		Protection class	II (IEC 60536)	
		Wiring diagram	see below	

Important

Installation must be carried out by a trained engineer.
 Disconnect the power supply before beginning installation.

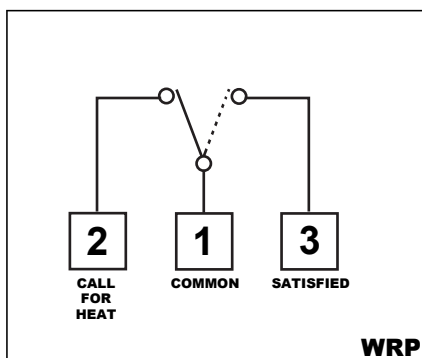
Installation

CYLINDER: To ensure accurate control of your cylinder, the thermostat should be mounted on the bottom 1/3 of the cylinder. It is essential that the sensing element is in direct contact with the cylinder and that there is no insulation between it and the cylinder. 60°C is the temperature level required in order to prevent the build up of legionella bacteria. The thermostat can be fixed using the provided cord. Heat conducting paste should be used.

PIPE: To ensure accurate control, the thermostat should be mounted on the pipework with the chain link provided. It is essential that the sensing element is in direct contact with the pipework and that there is no insulation between. Heat conducting paste should be used.

Operation

The Common terminal is terminal 1. When the thermostat is calling for heat Terminals 1 & 2 are closed. When the thermostat is satisfied Terminals 1 & 3 are closed.



Distributed by: