



Pop up power sockets

76936PI, 76937PI & 76938PI User Guide

Introduction

Congratulations on the purchase of your new SLX pop up power socket.

Your socket is ideal for installing in worktops in kitchens, offices and workshops.

The unit slides easily into the worktop to sit flush with the surface. When needed at the press of a finger the quick release button pops up and the unit can be pulled up and locked into position.



Safety Precautions

- The unit should be plugged into a mains wall socket only and must not be plugged into any form of extension socket
- Do not exceed the maximum load - 13 Amp, 3120W.
- These appliances are not waterproof, they are intended for indoor use only and must not be positioned where they could be exposed to dripping or splashing water
- Objects containing liquids should not be placed on or near the sockets
- To prevent fire, make sure the unit and attached cabling is installed well away from naked flames and other heat sources
- Do not use the socket if the cable or plug is damaged ask a qualified electrician to replace the cable
- Only install in a smooth surface - do not install in jointed or tiled surfaces
- Install a minimum of 25mm from the edge of a worktop

Mains Plug

Your socket is supplied with a standard mains plug already fitted, if you need to change the plug ask a qualified electrician to make the connection.

If you need to change the fuse use a 13 Amp fuse to BS1362 carrying the ASTA or BSI approved mark and refit the plastic fuse carrier.

Please note this unit must be earthed.

Before Installation

Choosing a location

To fit your pop up power socket you need to make a 60mm to 62mm hole in the worktop.

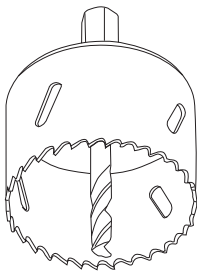
The hole should be positioned a minimum of 25mm from the edges of the worktop.

You will also need to make sure there is sufficient space below the worktop for the socket to fit comfortably when it is retracted and that there is a mains wall socket close enough to plug into.

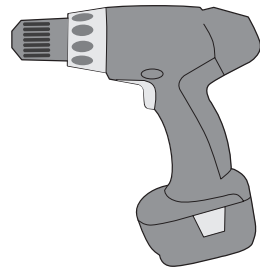
Preparation

When you have chosen the location before drilling remove any items below the worktop surface that might be damaged or covered with sawdust or other debris during drilling.

Tools required



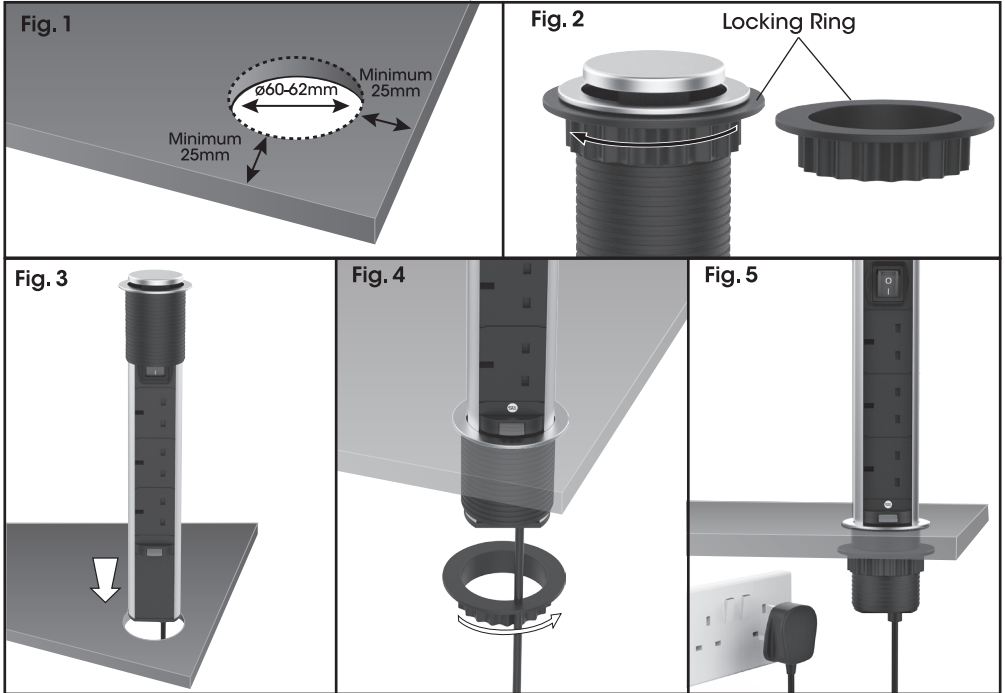
60-62mm Hole Saw



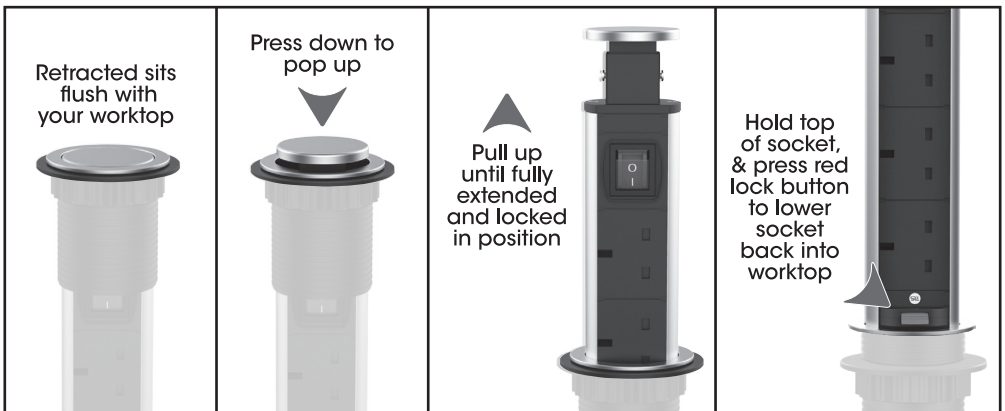
Drill

Installation

1. Using the holesaw and drill make a 60mm to 62mm hole in the worktop as shown in Fig. 1.
2. Unscrew and remove the locking ring from your pop up power socket as shown in Fig. 2.
3. Slide the socket into the hole you have cut until it sits flush with the worktop surface, see Fig. 3.
4. Thread the locking ring over the plug and cable and screw back on to the socket and tighten until the socket is held securely in the worktop, see Fig. 4.
5. Plug into a mains wall socket and switch the wall socket on. Your pop up socket is now ready for use, see Fig. 5.



Pop up Mechanism



Troubleshooting

If you experience problems after installing your pop up power socket see below:

No power

Check pop up power switch is on

Check mains socket is switched on

Replace the fuse in the plug. Use a 13 Amp fuse to BS1362 carrying the ASTA or BSI approved mark and refit the plastic fuse carrier.

Technical Support

If you experience problems setting up your socket, please visit our website at www.slxtechnology.com/support you can send us a message or **live chat** during office hours.

USB Sockets - 76937PI only

The Pop up power 3+2 USB power socket has 2 x USB charging ports, output 5V=2.1A suitable for charging most battery powered portable USB charged products.

Compatible products include smartphones, tablets*, powerbanks and Bluetooth speakers.

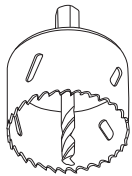
*Will only charge one iPad or Tablet at a time, due to power draw.



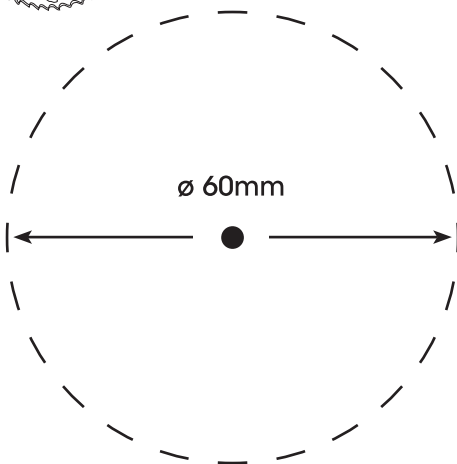
Specifications

Part No.	76936PI	76937PI	76938PI
Power Sockets	3	3	4
USB Sockets	-	2x 5V=2.1A	-
Voltage	220-240V	220-240V	220-240V
Maximum Load	13 Amp 3120W	13 Amp 3120W	13 Amp 3120W
Height	373mm	413mm	423mm
Diameter	84.5mm	84.5mm	84.5mm
Cutout	60-62mm	60-62mm	60-62mm
Fuse	13 Amp	13 Amp	13 Amp

Drilling Template



Drill a hole with a minimum diameter of 60mm and a maximum of 62mm



Waste electrical and electronic products should not be disposed of with household waste. Please recycle where facilities exist. Check with your Local Authority for recycling advice.



© Philex Electronic Ltd 2017. v1 MK42 ONX