



MASTER LEDspot MV

MASTER LEDspotMV VLE D 3.5-35W GU10 827 40D

Delivering a warm, halogen-like accent beam, MASTER LEDspot MV is a perfect fit for spot lighting (track, corridors, lift lobbies, display cases and cabinets) in the hospitality industry. It is particularly suitable to public areas where the light is on 24/7, such as lobbies, corridors, stairwells. MASTER LEDspot MV delivers huge energy savings and minimizes maintenance cost without any compromise on brightness, enabling hospitality owners to achieve a return on their investment within one year. These LEDspots are compatible with most existing fixtures with a GU10 holder and designed as a retrofit replacement for halogen or incandescent spots. The dimmable versions drive further efficiencies, while helping to create the desired atmosphere.

Product data

• General Characteristics

Cap-Base	GU10
Rated Lifetime (hours)	35000 hr
Nominal Lifetime hours	35000 hr

• Light Technical Characteristics

Color Code	827
Color Designation (text)	Warm White
Beam Angle	40 D
Beam Description	40D [Medium beam]
Correlated Color Temperature	2700 K
Luminous Flux	280 Lm
Luminous Intensity	600 cd
Color rendering index	80
Luminous Efficacy Lamp	74.29 Lm/W
Color Temperature	2700 K [CCT 2700K]
Rated Luminous Flux	280 Lm
LLMF - end nominal lifetime	70 %
Colour consistency	6 steps
Rated Beam Angle	40 D
Luminous flux in 90° cone	260 Lm

• Electrical Characteristics

Wattage	3.5 W
Voltage	220-240 V
Line Frequency	50-60 Hz
Power Factor	0.5 -

Lamp Current mA	20 mA
Dimmable	Yes
Wattage Equivalent	35 W
Rated Wattage	3.5 W
Starting Time	0.5 (max) s
Warm-up Time to 60% Light Outp	instant full light
Suitable for accent lighting	Yes

• Temperature Characteristics

T-case maximum	79 C
----------------	------

• Environmental characteristics

Energy Efficiency Label (EEL)	A++
Energy consumption kWh/1000h	4 kWh

• Measuring Conditions

Switching cycle	50000X
-----------------	--------

• Product Dimensions

Overall Length C	55 mm
Diameter D	50 mm

• Product Data

Order code	929001137602
Full product code	929001137602
Full product name	MASTER LEDspotMV VLE D 3.5-35W GU10 827 40D



PHILIPS

MASTER LEDspot MV

Order product name MAS LEDspotMV VLE D 3.5-35W
GU10 827 40D
Pieces per pack 1
Packing configuration 10
Packs per outerbox 10
Bar code on pack - EAN1 8718696457030

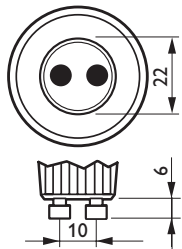
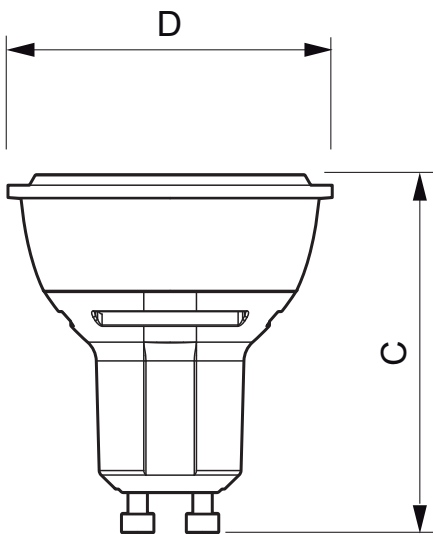
Bar code on outerbox - EAN3 8718696457047
Logistic code(s) - 12NC 929001137602
Net weight per piece 0.036 kg

Warnings and Safety

- Operating temperature range is between -20° C and 45° C ambient

- Only to apply in dry or damp locations and most of open fixtures with lamp-holders that offer sufficient space (10 mm free air space)
- Not intended for use with emergency light fixtures or exit lights

Dimensional drawing

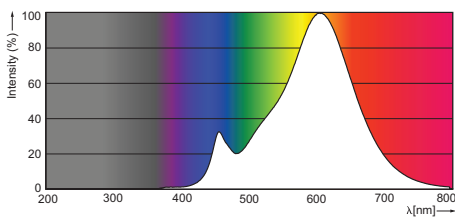


GU10

MASTER LEDspotMV VLE D 3.5-35W GU10 827 40D

Product	C (Norm)	C1 (Max)	D (Norm)	D1 (Norm)
LED VLE D 3.5-35W GU10 827 40D	55	-	50	-

Photometric data





© 2015 Koninklijke Philips N.V. (Royal Philips)
All rights reserved.

Specifications are subject to change without notice. Trademarks are the property of Koninklijke Philips N.V. (Royal Philips) or their respective owners.

www.philips.com/lighting

2015, October 17
data subject to change