

Technical data sheet Junction box A 18

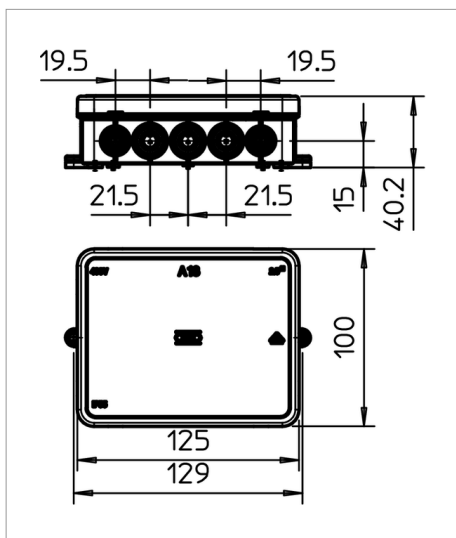


Protection rating IP55, nominal voltage 400 V, nominal cross-section 2.5 ÷ mm², 18 entry nipples for cable diameters 7–14 mm. Clamshell.

Dimensions: 125 x 100 x 40 mm

Clear internal dimensions: 115 x 90 x 35 mm

2 penetration mandrels for every 10 boxes



| Type | Accessories | Colour | Box quantity | Pack. pcs | Weight kg/100 pcs. | Art-No. |
|------------|------------------------|----------------------|--------------|-----------|--------------------|---------|
| A 18 5 | 1 terminal strip | Light grey; RAL 7035 | 80 | 10 | 6.957 | 2000414 |
| A 18 | Without terminal strip | Light grey; RAL 7035 | 80 | 10 | 6.957 | 2000410 |
| A 18 HF RO | Without terminal strip | Red | 80 | 10 | 6.957 | 2000418 |
| A 18 HF RW | Without terminal strip | Pure white; RAL 9010 | 80 | 10 | 6.957 | 2000422 |

PE Polyethylene

/100

