

Technical data sheet Junction box A 8



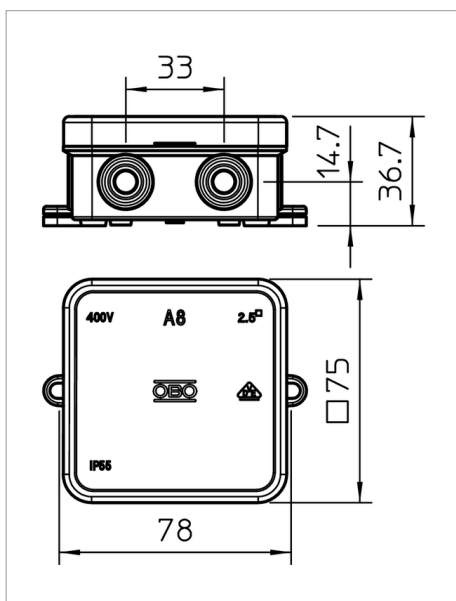
Protection rating IP55, nominal voltage 400 V, nominal cross-section 2.5 ÷ mm², 7 entries for cable diameter 8–14 mm.

Clamshell.

Dimensions: 75 x 75 x 36.2 mm

Clear internal dimensions: 65 x 65 x 32 mm

2 penetration mandrels for every 10 boxes



Type	Accessories	Colour	Box quantity	Pack. pcs	Weight kg/100 pcs.	Art-No.
A 8 5	1 terminal strip	Light grey; RAL 7035	150	10	6.500	2000024
A 8	Without terminal strip	Light grey; RAL 7035	150	10	5.140	2000016
A 8 HF RO	Without terminal strip	Red	150	10	5.140	2000059
A 8 HF RW	Without terminal strip	Pure white; RAL 9010	150	10	5.140	2000075

PE Polyethylene

/100

